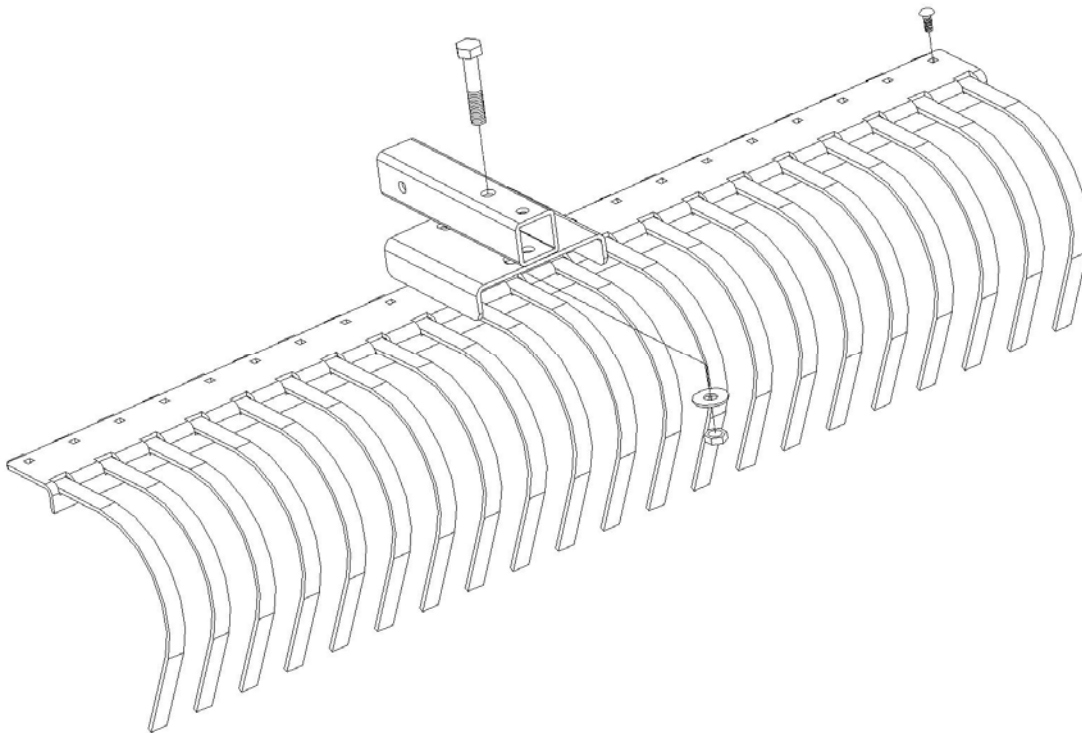




LSR-60 / 60" Landscape Rake

#	Part Name	Size	Qty
1	Pivot Tube		1
2	Main Assembly		1
4	Landscape Rack Tine		21
5	Carriage Bolt	3/8" x 1"	21
6	Nylock Nut	3/8"	21
7	Flat Washer	3/8"	21
8	Bolt	3/4" x 4"	1
9	Flat Washer	3/4"	2
10	Nylock Nut	3/4"	1
19	Bent Hitch Pin	5/8" x 4"	1



Assembly Instructions:

1. Secure #4 (Landscape Tine) to #2 (Main Assembly) with 3/8" Carriage Bolt, Flat Washer and Nylock Nut.
2. Secure #1 (Pivot Tube) to #2 (Main Assembly) with 3/4" x 4" Bolt, Flat Washer and Nylock Nut.
3. Insert #19 (Bent Hitch Pin) in desire location, for angle adjustment of Landscape Rake.

For additional assistance, please contact our customer service department at (877)-9KOLPIN or customerservice@kolpin.com.